

# ePOS400

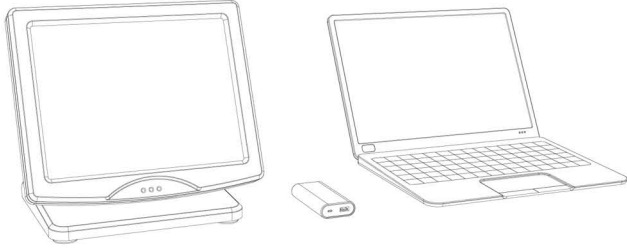
Versatility comes to checkouts.



WEIGHING TECHNOLOGY

# D-POS 400

Versatility comes to checkouts.



POS/ECR    EXTERNAL BATTERY    PC



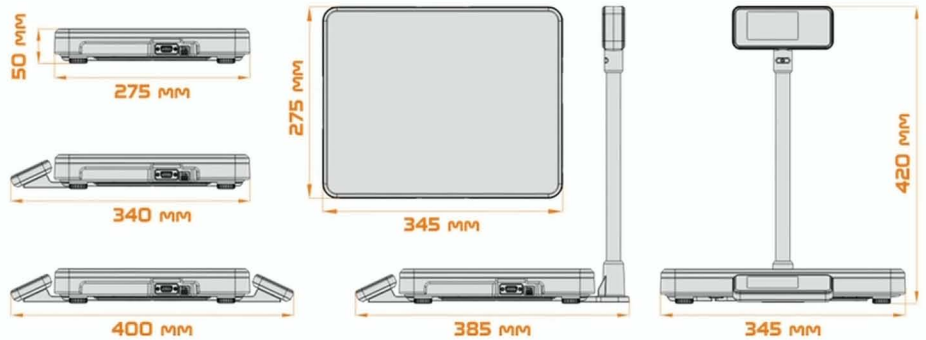
**D-POS 400** scale is the ultimate solution to optimize the payment process in the point of sale.

### STATE OF THE ART:

The modular design and compact size facilitates the installation into the counter.

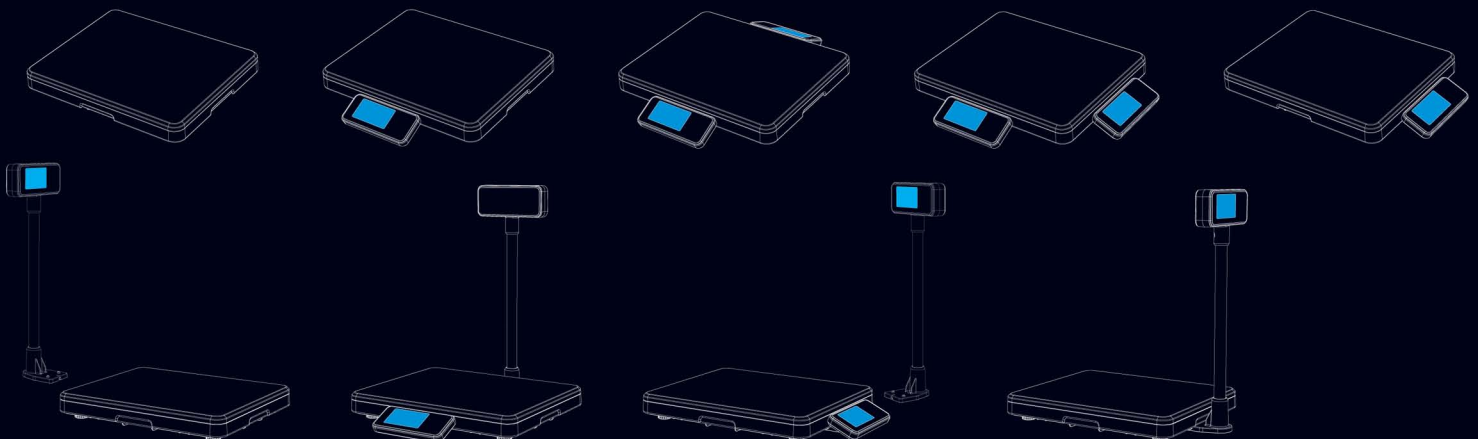
### ROBUST CONSTRUCTION:

Resists daily work and protects internal components against overloads and eventual entries of liquid or dirt.



### FLEXIBILITY & ADAPTATION

• 1 or 2 displays in the position you choose:



# EPoS400

Versatility comes to checkouts.



## QUICK & EASY

- Quick installation and easy to use.
- Simplifies integration with POS or ECRs.
- Most important communication protocols available (USB & RS-232).



## UNIVERSAL SERIAL BUS

- One single cable: Power supply and communications.
- Minimum power consumption.
- Fast and reliable communications.



## WIDE CONNECTIVITY

- Standard accessories and cables (external batteries, USB...).
- Lasting and profitable investment: economical maintenance and greater sustainability.



EC Verification



WEIGHING TECHNOLOGY



WEIGHING TECHNOLOGY

# DPoS400

Versatility comes to checkouts.

