

## Fillers AK-RAMON SC-25 STAR



- Capacity: 25 liters.
- Totally manufactured in AISI 304 stainless steel.
- Independent oil tank in AISI 304 stainless steel.
- Equipped with comfortable and precise speed regulator.
- Equipped with pressure gauge to visualize the pressure of the work.
- Knee lever to raise and lower the piston.
- Automatic piston decompression to prevent mass output.
- STAR models : Bottom of the cylinder made in AISI 304 stainless steel without any screw for easy cleaning.
- Bank and cylinder completely sealed.
- Equipped with wheels and handle for easy displacement.
- Easy maintenance.
- Equipped with three nozzles Ø 12, 20 and 30 mm of AISI 304 stainless steel.
- Three-phase motor power: 1 HP/ 0.75 kW.
- Net Weight: 142 kg.

### Options

- Lid and piston in AISI 304 Stainless steel.
- Lid and piston in Aluminium.
- Single-phase motor 1 HP/ 0.75 kW.

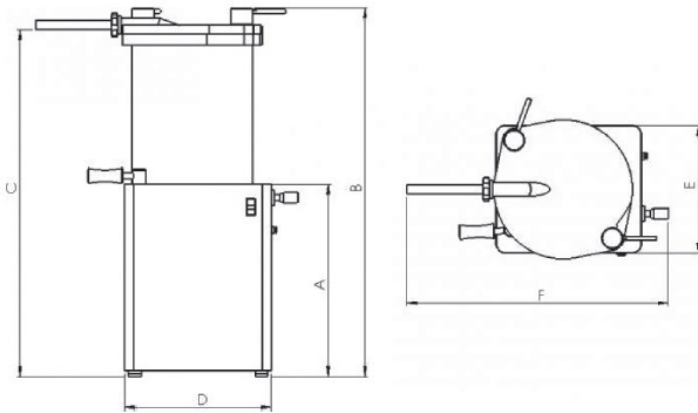
### Accessories

- Volumetric portioner.
- Burger former.
- Accessory for Kefta.
- Accessory for croquettes

## Technical information

	SC-25 STAR
Cylinder capacity in litres	25
Cylinder capacity in kg	± 23
Three-phase motor power HP/Kw	1/0.73
Single-phase motor power HP/Kw	1/0.73
Packaging dimensions (mm)	600x800x1500
Net/Gross weight (kg)	142/149

## Dimensions in mm



	B	C	D	E	F
SC-25 STAR	1195	1114	435	360	820