



# MVS45 X

**TABLETOP VACUUM - SEALING BAR 450 MM**

TABLETOP VACUUM MACHINE



## DESCRIPTION

The **chamber vacuum sealers MVS X** line has high-quality technological and functional content, but retains the utmost ease of use.

The collaboration with important chefs at the stage of realization and design has allowed to enrich the functions offered by these latter-generation **vacuum machines**, taking into consideration the specific needs of professional users.

The tactile control keypad is adhesive and glued on the front of the bodywork to prevent the entry of liquids into the card. The control panel allows you to set up to 10 customized programs, making these **chamber vacuum sealers** very versatile products.

The display shows the need for oil change. The electronic sensor interprets the data directly from the card and reads the degree of vacuum realized inside the chamber. Finally, you can also calibrate the machine to



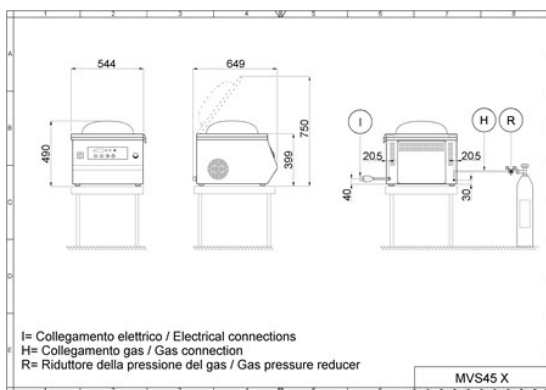
correct any variations in atmospheric pressure at different altitudes.

## TECHNICAL FEATURES

|   |      |   |
|---|------|---|
| Electrical power supply                 | V    | 120/230   |
| Phase                                   | ph   | 1   |
| Dimensions of the sealing bars          | mm   | 450   |
| Packaging cycle (Vacuum 99,9%)          | sec. | Vacuum= 24 - Air re-immission= 8  |
| Vacuum pump                             | mc/h | 20  |
| Machine dimensions with the lid open    | mm   | 544x649x h.750  |
| Machine dimensions with the lid closed  | mm   | 544x649x h.490  |
| Machine weight (Net/Gross)              | kg   | 78/87   |
| Available chamber dimensions (Tank+lid) | mm   | MVS 45 XP FRONT B. 466x405.5x h.226<br>MVS 45 XP 2 SIDE B. 351x466x h.226 |

minipack@-torre shall not be held liable for typos or printing errors in this catalogue. It also reserves the right to make changes to the specified features without prior notice. All trademarks are property of their respective owners and are hereby acknowledged.

## TECHNICAL DRAWING



## TECHNICAL FEATURES

- o Stainless steel (AISI 304)
- o Vacuum cycle with stop
- o Bag scrap cutting device
- o Quick-coupling aluminium sealing bar

minipack@-torre S.p.A.

Sede legale - Via Provinciale, 54 - 24044 DALMINE (BG) Italy

P.IVA - C.F.: 01633550163 - Capitale sociale 619.200,00 i.v. - Reg. Imprese di Bergamo 01633550163 - REA n. 224151



- Clear plastic lid suitable for use with food
- Volumetric vacuum sensor
- PE-HD filling tables
- 10 customisable programs
- Self-calibration
- Sealing bar overload safety device
- Oil and assistance warning light
- CE/ETL/NSF certification.

## VERSIONS

---

**MVS 45 X FRONT B.** (MVS 45 X front bar)

**MVS 45 X 2 SIDE B.** (MVS 45 X 2 side bars)