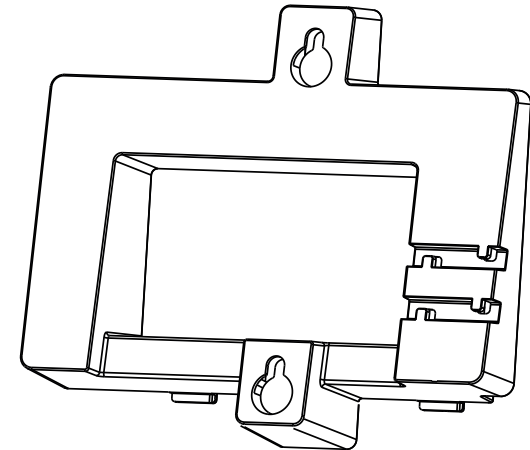


Grandstream Networks, Inc.

126 Brookline Ave, 3rd Floor  
Boston, MA 02215. USA  
Tel : +1 (617) 566 - 9300  
Fax: +1 (617) 249 - 1987

[www.grandstream.com](http://www.grandstream.com)



**GRP\_WM\_S**

**GRP\_WM\_L**

**GRP\_WM\_C**

**GRP261x/GRP2650 IP  
Phones Series Wall Mount  
Bracket**

Quick Installation Guide



For Certification, Warranty and RMA information, please  
visit [www.grandstream.com](http://www.grandstream.com)

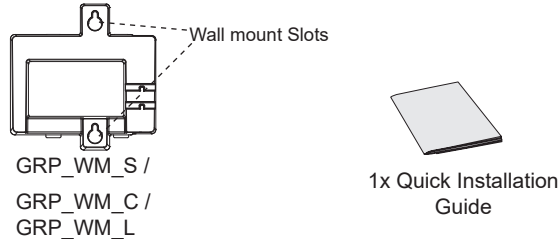
## EN OVERVIEW

This guide provides instructions for mounting your GRP261x series phone to the wall. Provided instructions apply to all GRP261x series models and all GRP\_WM bracket models. There are two wall mount bracket models:

- GRP\_WM\_S for GRP2612/P/W and GRP2613
- GRP\_WM\_L for GRP2614, GRP2615 and GRP2616
- GRP\_WM\_C for GRP2650

**Note:** The wall mount bracket is sold separately (not included in GRP261x series phone package).

## PACKAGE CONTENTS

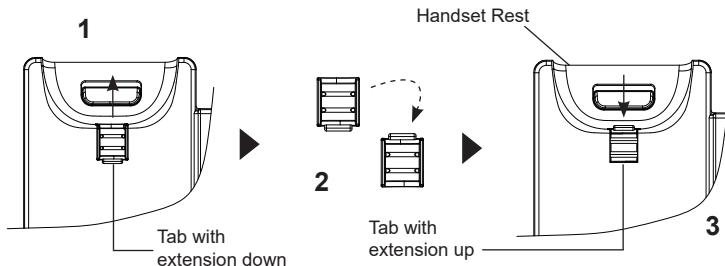


**Note:** Screws and anchors required for wall mount installation are not included in this package.

## ADJUSTING HOOKSWITCH TAB

Make sure to adjust the hookswitch tab position up to hold the handset while the phone is mounted on the wall (tab with extension down is recommended for desktop usage).

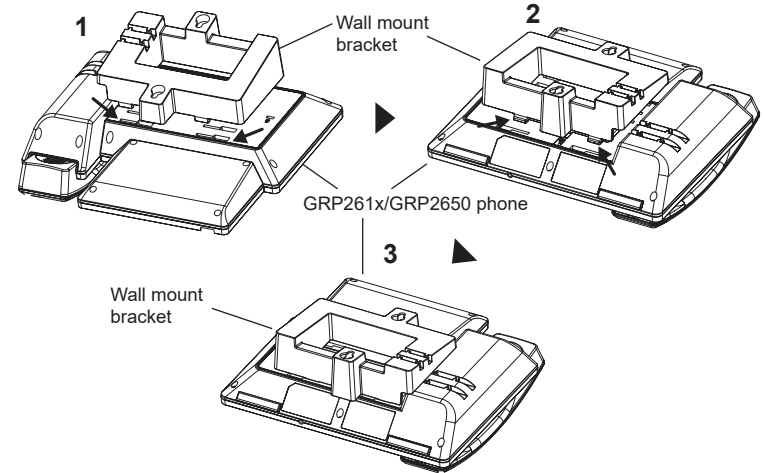
1. Pull out the tab from the handset cradle.
2. Rotate the tab to extension up.
3. Plug it back into the slot with the extension up.



~1~

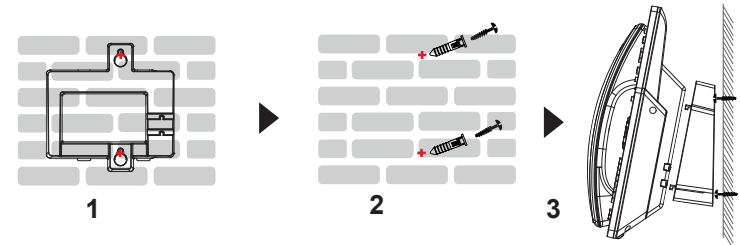
## INSTALLING WALL MOUNT BRACKET

1. Put the wall mount's ribs into the unit's groove.
2. Press this position and install the wall mount.
3. The wall mount is installed completely.



## MOUNTING THE PHONE TO THE WALL

1. Use the wall mount bracket to mark two vertical dots using "wall mount slots" on the wall where the phone will be installed.
2. Using a drill, make a hole on each marked dot. Put a plastic anchor and screw (not provided) on each hole. Leave enough space to attach the wall mount bracket to the wall.
3. Mount the GRP261x/GRP2650 phone with wall mount bracket attached to the wall using wall mount slots.



~2~